

INSTALLATION INSTRUCTIONS

Alignment Center Hinge Installation Supplemental Instructions (For use with Garage Doors Installation & Maintenance Manual)

This is a supplement to the Garage Door Instructions (Referred to as MANUAL). It covers important information unique to certain door configurations. For all other information and safety warnings concerning your garage door, see the MANUAL. Read all of the information in both manuals before beginning installation.

These instructions cover the following areas, where this door installation differs from the standard door installation:

1. Alignment Center Hinge Installation



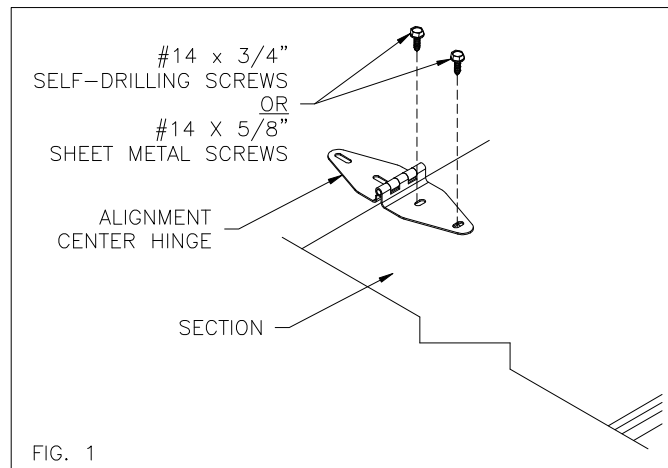
WARNING

DO NOT ATTEMPT TO INSTALL, REPAIR OR ADJUST the garage door with spring tension applied to the lift cable. Failure to remove all tension could cause SEVERE INJURY OR DEATH if mishandled.

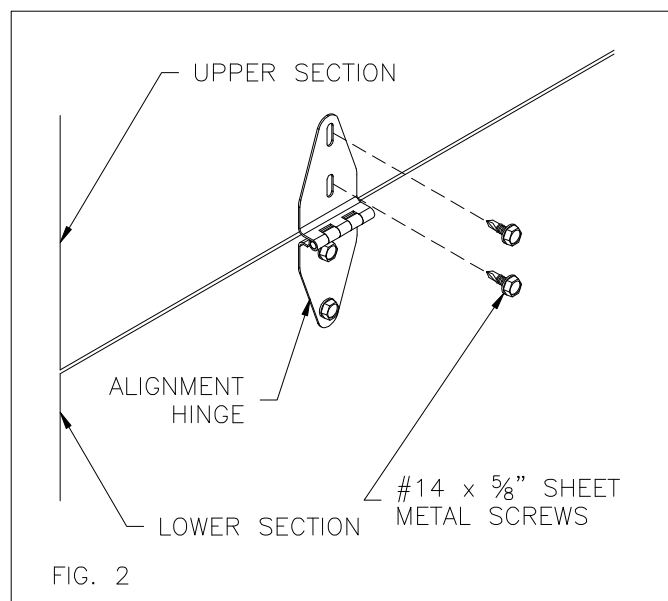
Alignment Center Hinge Installation

Prepare opening and sections as directed in MANUAL. Numbered end hinges (#2, #3, #4,...etc.) will remain the same. Alignment hinges to be installed at centermost center hinge locations. Follow the steps below to install alignment hinges.

1. Lubricate all alignment hinges prior to starting installation w/ Clopay brand lubricant.
2. Beginning with bottom section, orient slots in lower leaf of alignment hinge over pre-punched holes in section. Ensure hinge rotation axis is level with edge of section.
3. Attach hinges along top edge using two (2) #14 x 5/8" sheet metal screws per hinge. **DO NOT** tighten screws. (Fig. 1)
4. Stack section in opening according to MANUAL.
5. Repeat steps #2 through #4 for next section.



6. If used on door with overlay pattern on the front of door, ensure overlay pattern is aligned. Adjust sections as needed.
7. Flip top leaf of alignment hinge up against upper section, adjust hinge side to side to ensure exterior overlays align and attach to the upper section with two (2) #14 x 5/8" sheet metal screws. Tighten screws in the bottom leaf of hinge. (Fig. 2)



8. Repeat until door is fully stacked in opening.