

FIRE PROTECTIVE CLOSURES

FIRE RATED COUNTER SHUTTER

 Clopay®

CLOPAY COMMERCIAL – MODELS ERC10, ERC11(SMOKESHIELD), ERC20(INTEGRAL FRAME AND SILL)



PREPAREDNESS IS EVERYTHING WHEN SECONDS COUNT

SUPERIOR SEPARATION AND PROTECTION

UL labeled for up to 3 hours, Fire-Rated Counter Shutters are custom-built to exact opening specifications using compact guides, slats, brackets and hoods for a smooth profile. When compact door components are desired, the rated shutters quickly and reliably close to the sill.

GET UL LABELS FOR UP TO 1-1/2 HOURS ON INTEGRAL FRAME AND SILL UNITS

For a custom appearance and a quick install, slip-in units easily set into existing walls.

FAILSAFE ACTIVATION

AlarmGard® shutters may be integrated to the building fire alarm control panel or simply activated by local smoke detectors. Once notified by electrical signal, they close at a safe and reliable rate.

ENHANCED SMOKE PROTECTION AVAILABLE

Optional SmokeShield® smoke and draft control conforms to UL 1784 and ensures that smoke will be compartmentalized with the fire and not spread quickly throughout the facility, allowing safe egress for occupants.

clopaycommercial.com

FIRE RATED COUNTER SHUTTER

STANDARD COMPONENT MATERIALS AND FINISHES

- 1. HOOD** – Galvanized steel with GalvaNex™ polyester enamel finish to match curtain. Encloses the curtain and provides fire protection at the head of the door.
- 2. COUNTER-BALANCE SHAFT** – Steel supports curtain and contains torsion springs for assisting operation.
- 3. BRACKETS** – Steel with powder coating to match curtain. Bolt to guide assembly and support counter-balance shaft and curtain.
- 4. GUIDES** – Steel with powder coating to match curtain. Guide assemblies bolt to the wall and support the entire weight of the unit.
- 5. CURTAIN** – Galvanized steel with GalvaNex™ polyester enamel finish in Gray, Tan or White. Interlocking roll-formed, flat-faced slats with galvanized steel end locks riveted to the slats to maintain curtain alignment and prevent wear.
- 6. BOTTOM BAR** – Steel with SpectraShield® powder coating to match curtain. Reinforcing member attached to the bottom of the curtain with a vinyl astragal seal. Locking mechanisms available.

WITH INTEGRAL FRAME AND SILL

- 7. FRAME** – Welded stainless steel head and jams. Guide groove is incorporated into jamb design.
 - 8. SILL** – Stainless steel provides a seamless, custom look.
 - 9. TRIM** – Stainless steel jamb trim angles. Head trim optional.
- HOOD** – Stainless steel
BRACKETS – Stainless steel
CURTAIN – Stainless steel
BOTTOM BAR – Stainless steel
- All stainless steel is 300 series in #4 finish*

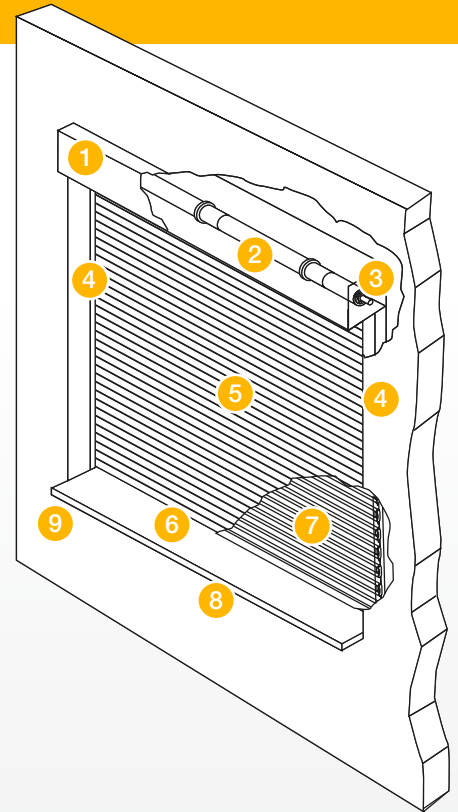
OPERATION AND STRUCTURAL REQUIREMENTS

Hand-crank, push-up and a variety of motor options are available

This product is supported by a guide assembly attached to the jamb construction. No additional header support is required unless hood supports are mandated by a larger opening width.

CUSTOM-DESIGNED SOLUTIONS

Contact our experienced Architectural Design Support Team for help in customizing our products to fit your specific application at www.architectdoorhelp.com



OPTIONAL MATERIALS AND FINISHES

- Stainless steel 300 series in #4 finish
- SpectraShield® powder coating in more than 180 colors
- For a more durable finish, consider upgrading to our Galvanex™ Ultra™ or SpectraShield® Ultra™ powder coat finish
 - It is a polyester-based, textured, wear-resistant clear coat that provides increased resistance to corrosion of the curtain and improved durability against normal abrasion and scratching due to cycling.

Brackets, Guides and Bottom Bar

- Hot-dip galvanizing on steel components
- Zinc-enriched, corrosion-resistant powder coating in Gray



For more information on these and other Clipay products, visit clipaycommercial.com. Architects and specifiers, visit architectdoorhelp.com.



©2023 Clipay Corporation. All rights reserved.

