

# TRUCYCLE™ SERVICE DOOR

MODELS CHCESD10 (SERVICE DOOR CURTAIN) AND CHCESD30 (INSULATED CURTAIN)



## MEASURE THE WIDTH AND HEIGHT OF THE OPENING

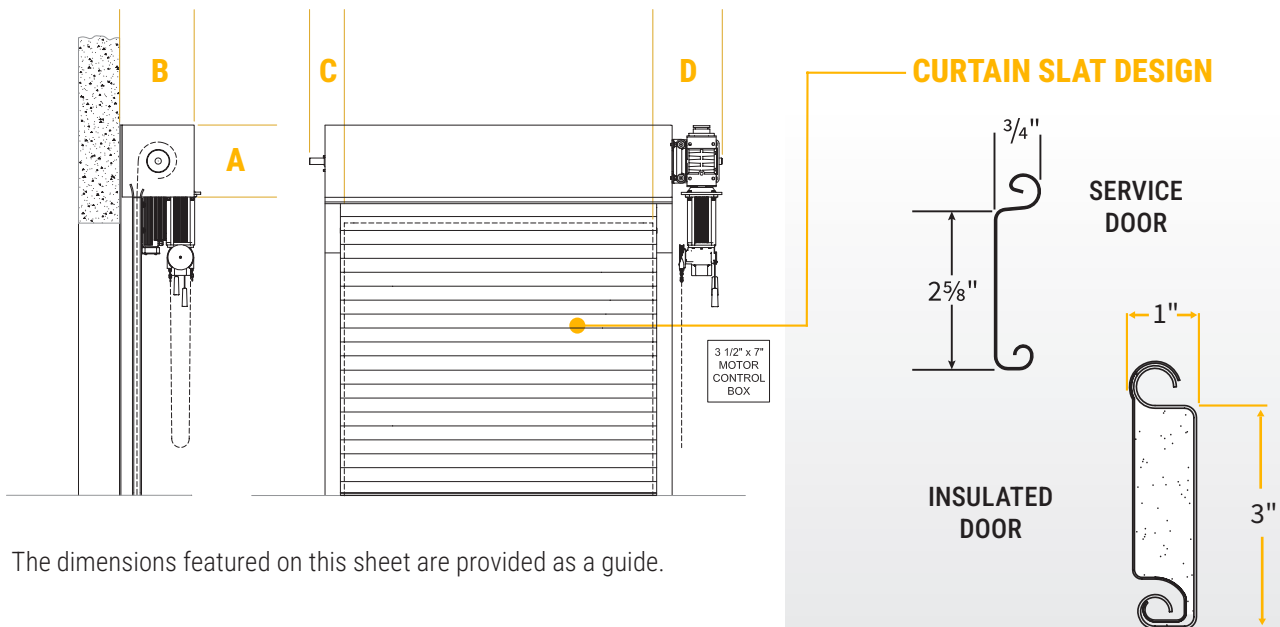
### SERVICE DOOR

6'	15"	16"	6-1/4" – 7-1/4"	13-1/4" – 15-1/4"
7'	15"	16"		
8'	15"	16"		
9'	15"	16"		
10'	15"	16"		
11'	16"	17"		
12'	16"	17"		
13'	16"	17"		
14'	17"	18"		
15'	17"	18"		
16'	17"	18"		
17'	18"	19"		
18'	18"	19"		
19'	18"	19"		
20'	19"	20"		
HEIGHT	A	B	C	D

### INSULATED DOOR

6'	16"	17"	6-1/4" – 7-1/4"	13-1/4" – 15-1/4"
7'	17"	18"		
8'	18"	19"		
9'	18"	19"		
10'	19"	20"		
11'	20"	21"		
12'	20"	21"		
13'	21"	22"		
14'	21"	22"		
15'	22"	23"		
16'	23"	24"		
17'	24"	25"		
18'	24"	25"		
19'	25"	26"		
20'	25"	26"		
HEIGHT	A	B	C	D

Maximum width for TruCycle™ door is 30' and TruCycle™ insulated door is 24'5"



The dimensions featured on this sheet are provided as a guide.

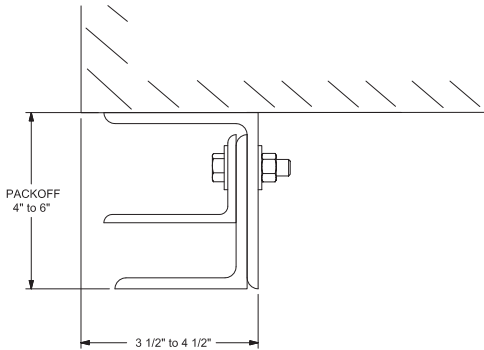
# TRUCYCLE™ SERVICE DOOR

## GUIDE CONSTRUCTION OPTIONS

### SERVICE DOOR

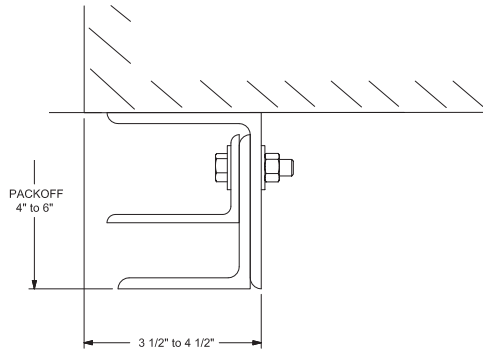
#### FACE OF WALL – E GUIDE

Typically used with steel jambs.

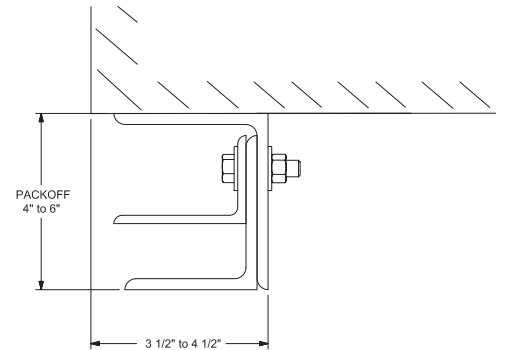


#### FACE OF WALL – Z GUIDE

Typically used with masonry wall construction.



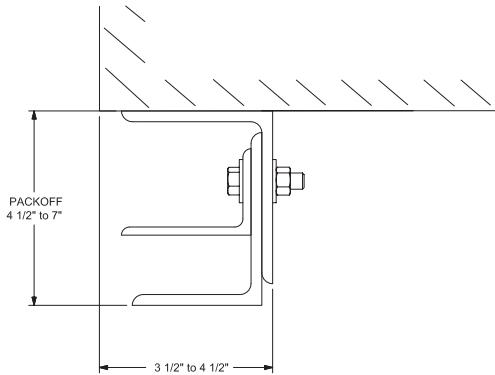
#### BETWEEN JAMBS



### INSULATED DOOR

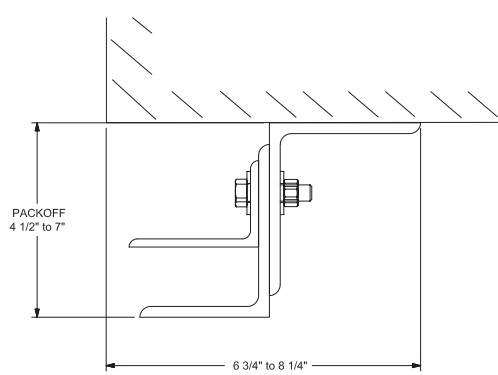
#### FACE OF WALL – E GUIDE

Typically used with steel jambs.

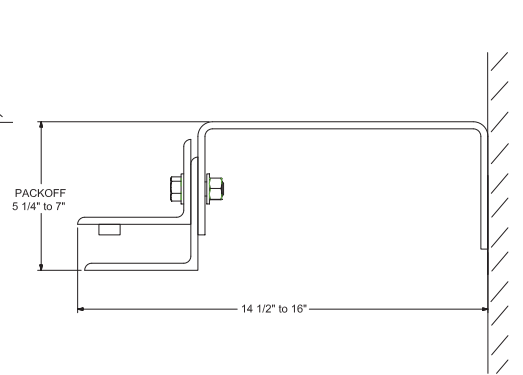


#### FACE OF WALL – Z GUIDE

Typically used with masonry wall construction.



#### BETWEEN JAMBS



The dimensions featured on this sheet are provided as a guide.

U-factor of 0.125

## CUSTOM-DESIGNED SOLUTIONS

Contact our experienced Architectural Design Support Team for help in customizing our products to fit your specific application at [www.architectdoorhelp.com](http://www.architectdoorhelp.com).



For more information on these and other Clopay products, visit [clopaycommercial.com](http://clopaycommercial.com). Architects and specifiers, visit [architectdoorhelp.com](http://architectdoorhelp.com).



©2026 Clopay Corporation. All rights reserved.

CMDC-TRUCYCLE-SDTD\_26